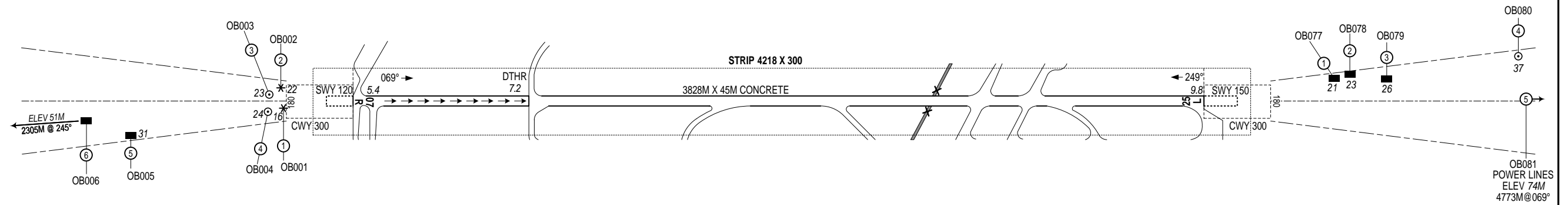
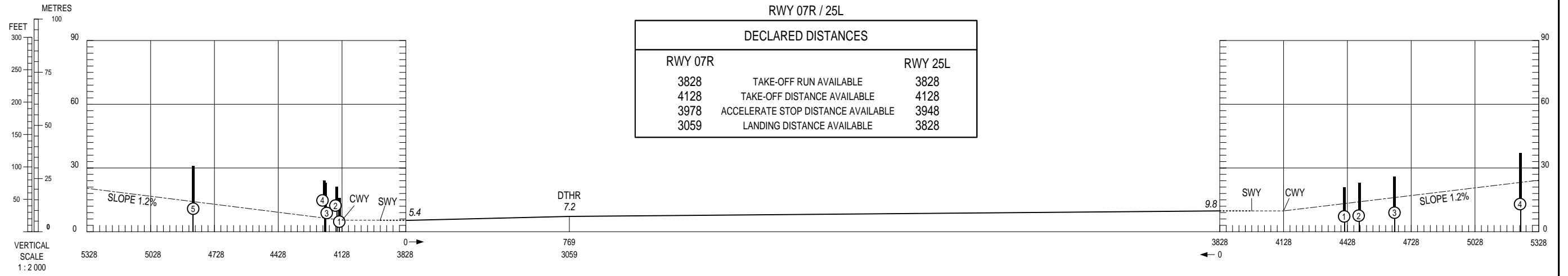


DIMENSIONS AND ELEVATIONS IN METRES

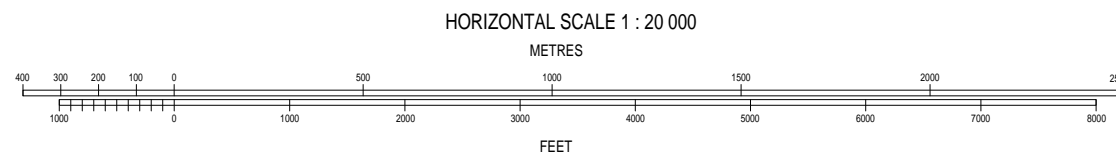
AERODROME OBSTACLE CHART - ICAO
TYPE A (OPERATING LIMITATIONS)

HO CHI MINH/TAN SON NHAT INTL (VVTS)
RWY 07R / 25L

MAGNETIC VARIATION 1° W



LEGEND	
IDENTIFICATION NUMBER	①
TREE	*
POLE, TOWER, SPIRE, ANTENNA, ETC.	⊙
BUILDING OR LARGE STRUCTURE	■
RAILROAD	—+—+—+—+—
TERRAIN CONTOUR	~
TERRAIN PENETRATING OBSTACLE PLANE	▬



AMENDMENT RECORD		
NO.	DATE	ENTERED BY

ORDER OF ACCURACY
HORIZONTAL 00M.
VERTICAL 00M.

CHANGES: VAR; RWY; RWY STRIP; SWY AND CWY DIMENSIONS; OBSTACLE; ELEV; DELARED DISTANCES.